



DIGITAL  
SMART HANDLE AX  
SMART INTEGO



## Multi-functional, intelligent and secure

The new SmartIntego SmartHandle AX interior door fitting is the proverbial handle on intelligence. Compact construction, modular structure, attractive design and efficient electronics provide high user comfort.

**Multi functional:** SmartIntego SmartHandle AX is designed for use on interior doors, tubular frame doors and glass doors . Its modularity allows adjustment of the electronic fitting to door thickness, distances and square shaft in all important door situations. Installation requires no drilling when using the existing fixing holes. The adaptive design allows combination with common handles of well-known manufacturers. There is also flexibility in the area of emergency route security: various manufacturers' panic bars can be used on these.

**Intelligent:** The integrated Secure Element encrypts data relevant to security. Up to 180,000 operations or 9 years of stand-by function are provided by the capacities of the built-in batteries in Wireless Online mode.



# DIGITAL SMART HANDLE AX SMART INTEGO

COMPOSITION OF THE ITEM NO. WITH EXAMPLE:

**Identifier for electronic door handle = SV-S2**

Profile: A0 = Euro-PZ, standing fitting

A1 = Euro-PZ, suspended fitting for distance 70-79 mm

A2 = Euro-PZ, suspended fitting (long) for distance 70-110 mm

A3 = Euro-PZ, standing fitting for tubular frame doors

A4 = Euro-PZ, standing fitting for panic bar adaptation

B0 = Swiss Round, standing fitting, possibility of mechanical over-locking

B1 = Swiss Round, suspended fitting for distance 70-79 mm

B2 = Swiss Round, suspended fitting (long) for distance 70-110 mm

E0 = Scandinavian Oval, without lock cylinder opening

E1 = Scandinavian Oval, with lock cylinder opening

Exterior rosette: 0 = none 1 = without lock cylinder opening 2 = with lock cylinder opening

Interior rosette: 0 = none 1 = without lock cylinder opening 2 = with lock cylinder opening

Handle versions exterior: 0 = no handle

A = L-shaped R (round, curved)

B = L-shaped G (mitred)

C = U-shaped R (round, curved)

D = U-shaped G (mitred)

L = U shaped R (mitred)

Optional adaptor set for third-party handles

Handle versions interior: 0 = no handle

A = L-shaped R (round, curved)

B = L-shaped G (mitred)

C = U-shaped R (round, curved)

D = U-shaped G (mitred)

L = U shaped R (mitred)

Optional adaptor set for third-party handles

Surface: 1 = silver/black-grey 2 = silver/white 7 = brass/white

Door thickness: S = 38-60 mm

M = 59-80 mm

L = 79-100 mm

X = 100-200 mm

Square shaft: 07 = 7 mm

08 = 8 mm

85 = 8.5 mm

09 = 9 mm

10 = 10mm

Reader technology: M = SmartCards / SmartTags

Options: (multiple response possible)

FH = Approved for fire safety and emergency exit locks

WO = Wireless Online

VCN = Virtual Card Network

PAS = PAS 24

ER = time controlled return function

Panic bar (only for version A4)

P1 = BKS full-leaf door, without sign 92 mm

P2 = BKS full-leaf door, without sign 72 mm

P11 = CISA full leaf door, with sign 72 mm

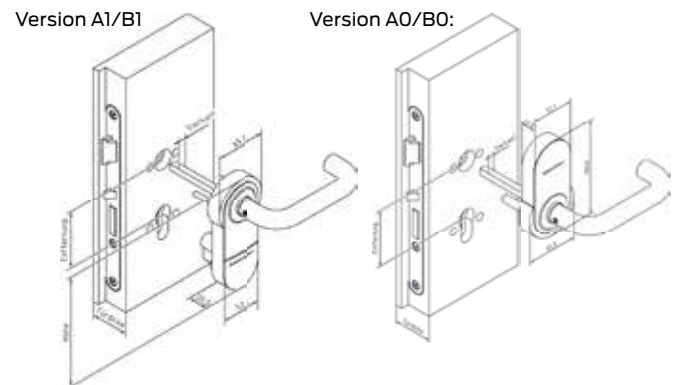
SI-S2 A0 1 2. A A. 1st M 08. M WO

=SI-S2.A0.12.AA.1.M08.M.WO

# DIGITAL SMART HANDLE AX SMART INTEGO



Is it possible to make something good even better? Yes, it is! Our new generation of SmartHandles is consistently based on our users' needs and sets new standards in the process. SimonsVoss introduces a new level of intelligence, security and convenience to doors with the SmartIntego SmartHandle AX thanks to a modular structure, a wide range of versions and innovative functions.



Measurements shown in mm

## // ADVANTAGES

- ⌘ Respond flexibly to every situation on site: The SmartHandle AX is adaptable to door thickness, centring distance and square shaft. The handle itself can be mounted on the left or right.
- ⌘ Unusually long battery life (up to 180,000 operations in Wireless Online operation)
- ⌘ Room for beauty: with its characteristic, adaptive design, the AX fitting can be combined with standard handles from renowned manufacturers.
- ⌘ Made in Germany. For us, this goes without saying. The SmartHandle AX has been proven to function continuously for 1 million cycles. (DIN EN 1906)
- ⌘ Operational reliability is decisive. That's why we have invested in mechanical and electronic quality and stability with the AX fitting. For example, the SmartHandle AX features extremely precise handle clearance.
- ⌘ Security in the AX platform: we are only happy when everything is secure. Intrinsic Security Architecture (ISA) with its Secure Element forms the centrepiece of SmartHandle AX.

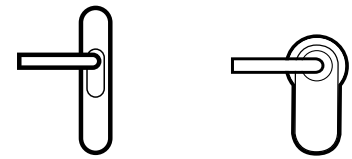
## // TECHNICAL DATA

- ⌘ Versions: Euro Profile, Swiss Round, Scandinavian Oval
- ⌘ Dimensions (W x H x D):  
Version A0/B0: 66 x 120 x 21 mm  
Version A1/B1: 66 x 140 x 21 mm  
Version A2/B2/E0/E1: 65 x 174 x 21 mm  
Version A3: 66 x 120 x 26 mm  
Version A4: 66 x 120 x 25 mm
- ⌘ Read process:  
**Wireless Online:** MIFARE® Classic, MIFARE® DESFire® / EV1/EV2, UID (card serial number) as per ISO 14443 (e.g. MIFARE®, Legic® Advant, HID® SEOS)
- ⌘ **Virtual Card Network:** MIFARE® Classic, MIFARE® DESFire® / EV1/EV2
- ⌘ Battery type: 4x CR2450 3V Lithium
- ⌘ Battery lifetime:  
Wireless Online: up to 180,000 closures  
Virtual Card Network: up to 150,000 closures  
Wireless Online Stand-by: up to 9 years  
Virtual Card Network Stand-by: up to 9 years
- ⌘ Temperature range : operation: -25°C to +50°C  
Storage (short-term): -40°C to +50°C  
Storage (long-term): 0°C to +30°C
- ⌘ IP-classe: IP40
- ⌘ Feedback: Audible (buzzer), visual (LED – green/red)
- ⌘ Firmware upgradable

## DIGITAL SMART HANDLE AX SMART INTEGO

Design your KEYLESS WORLD with two generations of SmartHandle: The SmartHandle and the SmartHandle AX with their convincing design, functionality and compatibility.

Both fittings can be operated with familiar identification media and customised to different door installation types.



SmartHandle

SmartHandle AX

	SmartHandle	SmartHandle AX
Interior doors		x
Exterior doors	x	
Metal frame doors	x	x
Glass doors		x
Panic bar on interior doors		x

### // WIRELESS ONLINE (868 MHZ)

- :: Reads 5 different card set-ups
- :: Opened after release by access control system (short release interval) with variable time settings
- :: Permanent release (on/off) with timer function
- :: Office mode with timer function
- :: White List function with up to 250 offline cards
- :: Recording of accesses even in the event of network failure
- :: Transmission of battery status and QoS (quality of signal)
- :: Configurable "keep alive" event
- :: Construction White List function with up to 128 cards
- :: 'Integrator lock'
- :: Auto-configuration via SmartIntego Manager (in TCP/IP Gateway Node models only)

### // VIRTUAL CARD NETWORK

EXPECTED AVAILABILITY  
FROM Q2/2020

- :: Issue of authorisations (access) based on doors areas, groups and exception functions
- :: Battery status
- :: Office mode with "timer" function
- :: Physical access lists
- :: Time budget / activation and expiration date
- :: Data deletion on online terminal
- :: Initial programming possible using access control manufacturer's online reader
- :: Time profiles on the card
- :: Data transmission secured during writing and read procedure

## // BASIC VERSIONS

Description	Order code
<b>DIGITAL SMART HANDLE AX – SMART INTEGO</b>	
Identifier for electronic door fitting	
<b>SMART INTEGO</b>	SI-S2
<b>PROFILE</b>	
A0 – Euro Profile cylinder, stationary installation, option for mechanical secondary locking device	A0
A1 – Euro Profile cylinder, suspended installation; for a centre distance between 70 and 79 mm	A1
A2 – Euro Profile cylinder, suspended installation; for a centres distance between 70 and 110 mm	A2
A3 – Euro profile cylinder, stationary installation for profile doors (tubular frame doors)	A3
A4 – Euro-PZ, standing fitting for panic bar adaptation	A4
B0 – Swiss Round, stationary installation, option for mechanical secondary locking device	B0
B1 – Swiss Round, suspended installation; for a centres distance between 70 and 79 mm	B1
B2 – Swiss Round, suspended installation; for a centres distance between 70 and 110 mm	B2
E0 – Scandinavian Oval without locking cylinder opening	E0
E1 – Scandinavian Oval with locking cylinder opening	E1

## // OPTIONS

Description	Order code
<b>OUTSIDE ESCUTCHEON</b>	
No escutcheon cover	0
Escutcheon cover without locking cylinder opening	1
Escutcheon cover with locking cylinder opening	2
<b>INSIDE ESCUTCHEON</b>	
No escutcheon cover	0
Escutcheon cover without locking cylinder opening	1
Escutcheon cover with locking cylinder opening	2
Silver / black grey	1
Silver / white	2
Brass / white	7

DIGITAL  
SMART HANDLE AX  
SMART INTEGO

// OPTIONS

Description	Order code
<b>EXTERIOR HANDLE VERSION</b>	
Without handle	0
L-shaped R (rounded)	A
L-shaped G (mitred)	B
U-shaped R (rounded)	C
U-shaped G (mitred)	D
U-Form R (elbowed)	L
<b>HANDLE VERSION INSIDE</b>	
Without handle	0
L-shaped R (rounded)	A
L-shaped G (mitred)	B
U-shaped R (rounded)	C
U-shaped G (mitred)	D
U-Form R (elbowed)	L
<b>SURFACE FINISH</b>	
Silver / black grey	1
Silver / white	2
Brass / white	7



DIGITAL  
SMART HANDLE AX  
SMART INTEGO

Description	Order code
<b>DOOR THICKNESS</b>	
38 – 60 mm	S
59 – 80 mm	M
79 – 100 mm	L
100 – 200 mm	X
<b>SPINDLE</b>	
7 mm	07
8 mm	08
8.5 mm	85
9 mm (the FH option must be ordered in addition for fire doors and emergency exit devices)	09
10 mm	10
<b>READER TECHNOLOGY</b>	
Permanently engaged for use (without electronics)	0
SmartCards / SmartTags	M
<b>OPTIONS (multiple selection possible)</b>	
Approved for fire-retardant doors and emergency exit devices	FH
Wireless online MIFARE® Classic, MIFARE® DESFire®/ EV1/EV2, UID (card serial number) as per ISO 14443 (e.g. MIFARE®, Legic® Advant, HID® SEOS)	WO
Virtual Card Network MIFARE® Classic, MIFARE® DESFire®/ EV1/EV2	VCN
PAS 24	PAS
Time-controlled return function	ER
<b>PANIC BAR ADAPTATION (only for Version A4)</b>	
BKS full-leaf door, without sign, 92 mm	P1
BKS full-leaf door, without sign, 72 mm	P2
CISA full-leaf door, with sign, 72 mm	P11

EXPECTED AVAILABILITY  
FROM Q2/2020



DIGITAL  
SMART HANDLE AX  
SMART INTEGO

Description	Order code
<b>ACCESSORIES</b>	
Adapter for installing an FSB handle with ASL or AGL fastening type (observe compatibility list)	S2.ADAPTER.FSB
Adapter for installing a GLUTZ handle (observe compatibility list)	S2.ADAPTER.GLUTZ
Inside and exterior handles for retrofit; specify handle variant A, B, C or D and Spindle 7, 8 or 9	S2.LEVER.x.x
Spindle in S, M, L or X length and 7, 8 or 9 mm in diameter, please indicate length and diameter	S2.SQUARE.x.x
Cover for Version A0/B0, black-grey	SI-S2.COVER.0.SG
Cover for Version A0/B0, white	SI-S2.COVER.0.W
Cover for Version A1/B1, black-grey	SI-S2.COVER.1.SG
Cover for Version A1/B1, white	SI-S2.COVER.1.W
Cover for Version A2/B2, black-grey	SI-S2.COVER.2.SG
Cover for Version A2/B2, white	SI-S2.COVER.2.W
Cover for Version E0, black-grey	SI-S2.COVER.E0.SG
Cover for Version E0, white	SI-S2.COVER.E0.W
Cover for Version E1, black-grey	SI-S2.COVER.E1.SG
Cover for Version E1, white	SI-S2.COVER.E1.W
Sleeve nut for escutcheons, pack of 50	S2.SLEEVENUT
S, M, L or X) screw set; indicate length (pack of 10)	S2.SCREW.x
Compensating bushings for version A0/B0, 10 bags with 2 x 3 units in each (in three different lengths)	S2.COMPSHELL
Escutcheon cover without locking cylinder opening, for retrofit	SI-S2.ROSE
Escutcheon cover with locking cylinder opening, for for Euro-profile cylinder retrofit	S2.ROSEPZ
Escutcheon cover without locking cylinder opening, for Scandinavian Oval, for retrofit	SI-S2.ROSESO
Escutcheon cover with locking cylinder opening, for Scandinavian Oval, for retrofit	S2.ROSESO.MO
Extension sleeve from 8 mm to 8.5 mm in length (10 units)	SH.SLEEVES.8.5
Blank cylinder 15–15 mm for Euro Profile cylinder to seal profile cylinder holes in the door	BLANK CYLINDER.PZ
Blank cylinder 15–15 mm for Swiss Round to seal profile cylinder holes in the door	BLANK CYLINDER.SR

DIGITAL  
SMART HANDLE AX  
SMART INTEGO  
FOR GLASS DOORS

// BASIC VERSIONS

Description	Order code
<b>LOCK CASES TO FIT SMARTHANDLE AX ONTO GLASS DOORS</b>	
dormakaba Office Junior lock case for glass doors, designed for SmartHandle AX, DIN left, square shaft 8 mm, for glass doors, with vertically drill holes at a spacing of 80 mm; hole diameter: 50 mm; (SmartHandle must be ordered separately; only version A1 is compatible)	S2.GL08A72L
dormakaba Office Junior lock case for glass doors, prepared for SmartHandle AX, DIN right, Square shaft 8 mm, prepared for glass doors, with vertical holes at a spacing of 80 mm, Hole diameter 50 mm (SmartHandle must be ordered separately; only version A1 is compatible)	S2.GL08A72R
<b>Important notice:</b> The glass door fitting manufacturer is dormakaba. Please contact the manufacturer directly for accessories or further information.	
<b>ACCESSORIES</b>	
Cover for dormakaba Office Junior lock case for glass doors, left, designed for SmartHandle AX	S2.GLCOVERL
Cover for dormakaba Office Junior lock case for glass doors, right, designed for SmartHandle AX	S2.GLCOVERR
<b>ORDER PLACEMENT GUIDE FOR SMART INTEGO COMPONENTS</b>	
You can download an order placement guide for SmartIntego components in the partner section on our website at <a href="http://www.smartintego.com">www.smartintego.com</a> .	