



**Installation instructions** 

**Notice d'installation** 

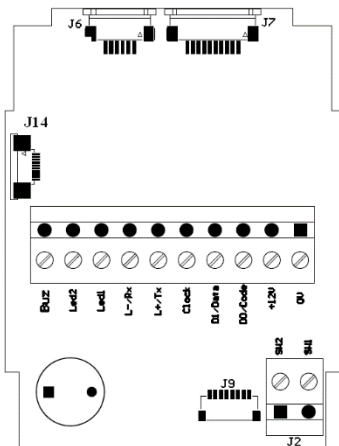
**Procedimiento de instalación** 



NI1114C12

**Screw terminal output product references**

|            |    |   |  |  |
|------------|----|---|--|--|
| ARCS-X/BT1 | X: | A: Standard<br>B: Keypad<br>C: Touch screen   | D: Standard + Biometrics<br>E: Keypad + Biometrics<br>F: Touch screen + Biometrics | AQ: Standard + QR Code<br>BQ: Keypad + QR Code<br>CQ: Touch Screen + QR Code |
| ARCS-X/BT2 | X: | I / IM: Standard + 125 kHz module<br>J / JM: Keypad + 125 kHz module<br>K / KM: Touch screen + 125 kHz module |  |  |

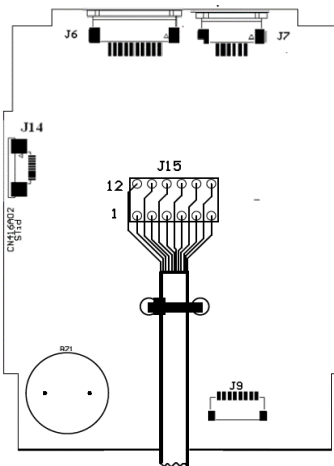


- J6: Antenna connector
- J7: Keypad connector
- J9: Biometric connector
- J14: Display connector
- J2: O/C contact

| Connector | Type                     |         |              |
|-----------|--------------------------|---------|--------------|
|           | J4                       | Wiegand | Clock & Data |
| 1         | 0 Vdc                    |         |              |
| 2         | +Vcc (+7 Vdc to +28 Vdc) |         |              |
| 3         | D0                       | Code    | NC           |
| 4         | D1                       | Data    | NC           |
| 5         | Clock                    | Clock   | NC           |
| 6         | NC                       | NC      | L+           |
| 7         | NC                       | NC      | L-           |
| 8         | Led 1                    |         |              |
| 9         | Led 2                    |         |              |
| 10        | Buzzer                   |         |              |

**Cable output product references**

|             |    |   |  |
|-------------|----|---|--|
| ARCS-XC/BT1 | X: | A: Standard<br>B: Keypad<br>C: Touch screen | D: Standard + Biometrics<br>E: Keypad + Biometrics<br>F: Touch screen + Biometrics |
|-------------|----|---|--|



- J6: Antenna connector
- J7: Keypad connector
- J9: Biometric connector
- J14: Display connector
- J15: Output cable

| J15 | Type         |                          |       |    |
|-----|--------------|--------------------------|-------|----|
|     | Wiegand      | Clock & Data             | RS485 |    |
| 1   | Dark blue    | SW2                      |       |    |
| 2   | Pink         | SW1                      |       |    |
| 3   | Orange       | Led 2                    |       |    |
| 4   | White        | Buzzer                   |       |    |
| 5   | Yellow       | Clock                    | Clock | NC |
| 6   | Red          | +Vcc (+7 Vdc to +28 Vdc) |       |    |
| 7   | Blue         | D1                       | Data  | NC |
| 8   | Grey         | D0                       | Code  | NC |
| 9   | Green        | Led 1                    |       |    |
| 10  | White Brown  | NC                       | NC    | L+ |
| 11  | White purple | NC                       | NC    | L- |
| 12  | Brown        | 0 Vdc                    |       |    |

**Power supply characteristics**

Use an AC/DC power supply type LPS, Limited Power Source (as per IEC/UL/EN 60950-1 Ed2) or type ES1, PS1 (according to IEC/UL/EN 62368-1) for the main supply.

**Main power supply:** Range: +7 Vdc to +28 Vdc Typical: 12 Vdc

**Max. consumption at 12 Vdc:**

|             |        |              |        |              |        |              |        |              |        |
|-------------|--------|--------------|--------|--------------|--------|--------------|--------|--------------|--------|
| ARCS-A/BT1: | 150 mA | ARCS-B/BT1:  | 180 mA | ARCS-C/BT1:  | 220 mA | ARCS-D/BT1:  | 300 mA | ARCS-E/BT1:  | 330 mA |
| ARCS-F/BT1: | 370 mA | ARCS-I/BT2:  | 180 mA | ARCS-IM/BT2: | 190 mA | ARCS-J/BT2:  | 210 mA | ARCS-JM/BT2: | 220 mA |
| ARCS-K/BT2: | 250 mA | ARCS-KM/BT2: | 260 mA | ARCS-AQ/BT1: | 260 mA | ARCS-BQ/BT1: | 300 mA | ARCS-CQ/BT1: | 340 mA |

**Characteristics**

- Communication:** RS485 (L+ & L-) / TTL (Wiegand / Clock and Data)
- Connection:** Removable connectors 1x10 pins and 1x2 pins, thread 0.19685 inch OR cable.
- Protection:** IP65 classified reader
- Static relay:** ASSR-1218-003E: 60 V output withstand voltage / 0.2A current rating / low on-resistance 1 Ω typical for AC/DC

**Recommended cables**

- Screw terminal output:** RS485: Use a multi-conductor shielded twisted pair cable. Max. length: 3281 ft at 9600 baud  
Wiegand / Clock & Data: Use an untwisted shielded multi-conductor. For data:  
2 wires AWG24 – 98 ft max / 4 wires AWG24 – 197 ft max / 6 wires AWG24 – 328 ft max  
2 wires AWG20 – 164 ft max / 4 wires AWG20 – 328 ft max
- Cable output (cable supplied):** TRANXALARM - 14x0.22mm<sup>2</sup> - lg 3.05m

**Buzzer / LED**

The operating mode for the Buzzer and LED 1 and 2 can be programmed by a configuration card (SCB / OCB) or controlled by the remote system with a 0 Vdc respectively on the "Led 1", "Led 2" and "Buzzer" inputs of the reader's connector or controlled by the communication protocol of the reader (SSCP® / OSDP™).

**Anti-tearing**

**Tearing is detected by an accelerometer.** When the reader is wrenched, the switch output (connector J2) provides an O/C contact to indicate the tearing of reader.

- for R/S 31/x1: the wrenching signal will be emitted on the "Data/Data1" line. This function is configurable via a configuration card.
- for R/S 33/x3 and OSDP™: the reader will perform the operations configured with the configuration card.
- for W33/x3: the reader will perform the operations configured with the SSCP® protocol.

**Caution: switch on the reader when it is in its final position to initialize the accelerometer in the correct position.**

### Relay

**Read-only reader:** automatic tamper management (except touch screen) or activated on the reading of a valid identifier  
**Touch screen read-only reader:** if the bell is activated, contact J2 is used to connect the external ring (max. 200 mA at 28 Vdc).  
**Read/Write & OSDP™ readers:** the relay is controlled by the SSCP®/OSDP™ protocol commands.

### UHF default configuration settings

Reader powered off. The defaults reader settings can be stored in internal memory accessible by UHF RFID technology. They will be taken into account when the reader is powered on.

### Read-only reader configuration

- R and S readers are configurable with SCB RFID / virtual configuration card.  
 OSDP™ readers are configurable with OCB RFID / virtual configuration card or with FileTransfer command.
- If the SCB/OCB is compatible with the reader's firmware, the LED lights green and the buzzer beeps five times.
  - If the SCB/OCB is not compatible with the reader's firmware, the LED lights red and the buzzer is activated for 1 s.
  - If the SCB/OCB key is different from the reader's key: no reaction.

**Caution: set your reader with your own company key.**

### Powering-up the readers

- On power-up, the reader enters an initialization phase:
- Activation of the white LED and buzzer for 100 ms.
- For read-only & OSDP™ readers:
- Activation of the LED, according to the color code: Red = +10, Orange = +5, Green = +1, indicating the firmware version.
  - For serial R/S reader only: the orange LED flashes 20 times: waiting for an update.
  - For Bluetooth® reader only: Activation of white fixed LED during Bluetooth® initialization.
  - Activation of the default LED (read-only: flashes blue, OSDP™: off; if no customer specific configuration).
  - For the ARC screen with an activated keypad, the default mode is: display the picture on standby and activate the keyboard by pressing the screen.

### Precautions for the biometric sensor and keypad

- For optimal operation, the biometric sensor must be free of all traces of water. Outdoors it is recommended to install the reader under cover.
- The keypad is sensitive. Take off your gloves to enter your code.

### Caution for Bluetooth® reader

**Caution: at the reader Bluetooth® (BT1/BT2) powering, make sure that nothing is in an area of at least 10 cm / 3.94 in. around the reader (ex. No hand in front of the reader...).**

### Precautions for installation

- The supply voltage at the reader's connector should be between +7 Vdc and +28 Vdc.
- As far as possible, keep the reader away from computer or power source cables. They can generate electrical interference, depending on their radiation level and the proximity of the reader.
- Recommended distance between two readers: parallel plane: 15.8 in – same plane: 15.8 in – perpendicular plane: 11.8 in.
- Recommended distance between two Bluetooth® readers: 2 meters / 78.74 inch either plan.
- Place the reader at a height of less than 2 meters / 78.74 inch (standard UL/IEC 62368).
- If the reader is fixed on a metal surface, it is possible to have a reduction in the reading distance.
- Use a ferrite (two-way) for the cable (power supply and data). *Example: reference 74271222 WURTH ELEKTRONIK.*
- For ARCS screw terminal output reader, connect the 2.2 µF capa (provided) between +12V and GND directly to the output of the connector (no polarization).
- By design, the reader can be installed indoors and outdoors.
- BEFORE powering on, connect the wires or the connector of the reader. Before disconnecting the wires or the connector of the reader, power off.**
- Operating temperature:

|             |                                    |                                    |                                   |                                   |                                   |
|-------------|------------------------------------|------------------------------------|-----------------------------------|-----------------------------------|-----------------------------------|
| Temperature | -22 °F to 158 °F<br>-30°C to +70°C | -22 °F to 140 °F<br>-30°C to +60°C | -4 °F to 158 °F<br>-20°C to +70°C | -4 °F to 140 °F<br>-20°C to +60°C | 14 °F to 122 °F<br>-10°C to +50°C |
| Readers     | A, B, IM, JM                       | AQ, BQ                             | C, I, J, K, KM                    | CQ                                | D, E, F                           |

### TTL pull-ups

For data signals, 10kΩ pull-up resistors are connected internally to V<sub>in</sub> (power supply voltage) for optimal wiring distances.

### RS485 communication

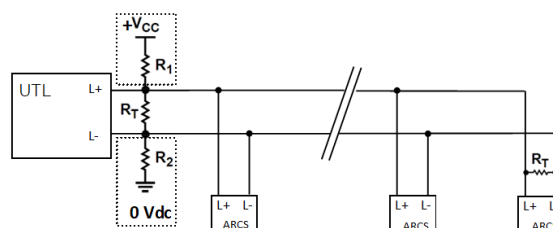
|                            |   |
|----------------------------|---|
| <b>Available Baud rate</b> | 9600, 19200, 38400, 57600, 115200 bauds             |
| <b>Factory Baud rate</b>   | ARC R & S: 9600; ARC W: 38400 (SSCP®), 9600 (OSDP™) |
| <b>Mode</b>                | Asynchronous  |
| <b>Number of bits</b>      | 8   |
| <b>Transfer mode</b>       | LSB first   |
| <b>Stop bit</b>            | 1   |
| <b>RS485</b>               | Default broadcast address 00h                       |

More details about reader communication are available in the protocol specification

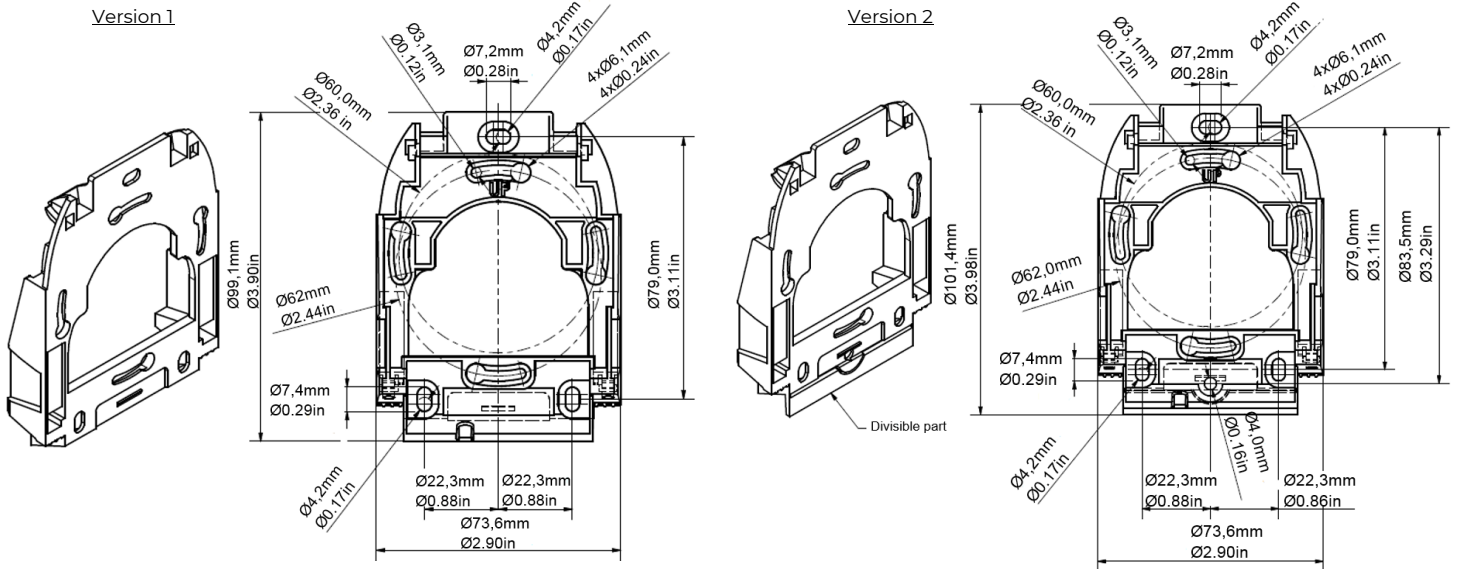
### Bus architecture (RS485)

RT: 120 Ω end-of-line resistor supplied.

From version 07 of the electronic board, the readers are fitted directly with pull-up / pull-down resistors on the electronic board. Earlier versions require the wiring of resistors R1 and R2 (1.5 kΩ resistors supplied) to use the extended features of the RS485 Bus: FAIL-SAFE (see RS485-AN-960).

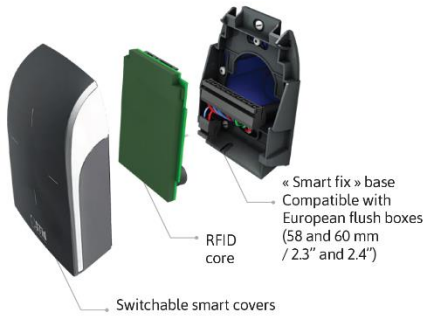


**Smart mounting plate dimensions**



General tolerance following ISO NPT 58-000 standard.

**Scalability**

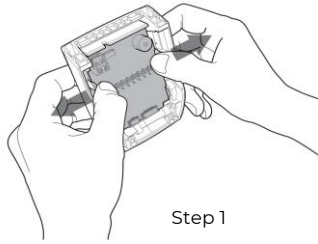


Scalability is a specific feature of the Architect® Blue series. Each reader is composed of three parts: one switchable cover, one RFID core and one smart mounting plate. You can upgrade functionalities and security levels by switching the cover and/or adding a biometric module.

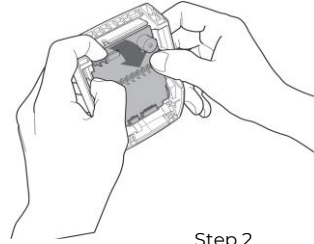
**Dimensions**



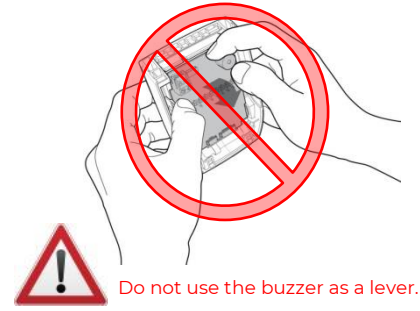
Steps to remove the core from the front cover



Step 1

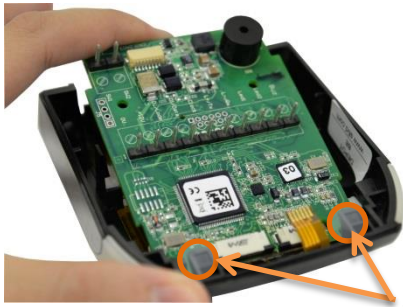


Step 2

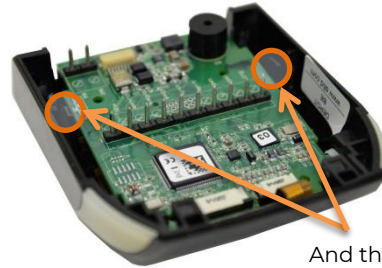


Do not use the buzzer as a lever.

Procedure to install the core into the front part



Place the core between the two slots at the top of the cover.



And then pivot the core and press to insert it between the two clips.

Procedure to change the front part



- Disconnect the flat flexible antenna cable from connector J6.
- Remove the core from the front part (steps 1, 2).
- Install the core in the keyboard front part.
- Connect the flat flexible antenna cable to connector J6 and the flat flexible keyboard cable to connector J7.



- Disconnect the flat flexible antenna cable from connector J6 and the flat flexible keyboard cable from connector J7.
- Remove the core from the front part (steps 1, 2).
- Install the core in the screen front part.
- Connect the flat flexible antenna cable to connector J6 and the flat flexible screen cable to connector J14.



- Disconnect the flat flexible antenna cable of connector J6.
- Remove the core from the front part (steps 1, 2).
- Install the core in the screen front part.
- Connect the flat flexible antenna cable to connector J6 and the screen ribbon to connector J14.



Mounting



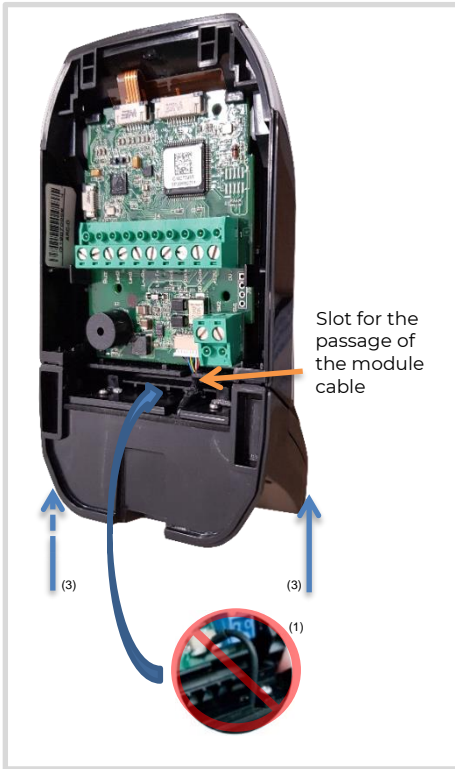
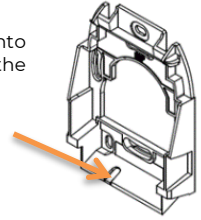
- Pass the cables through the hole in the base.
- Screw the base in its final location.
- Connect the reader.
- Test the readings and communication.
- Place the reader on the base (clip the top part and then pivot it down).
- Lock the reader with the two screws provided using the specific tool.

**Procedure to add the biometric (SE6) or 125 kHz module (SE8 / SE8M) or QR Code module (SE9)**

STid guarantees the good working order, compliance, technical support and after-sales service of the readers and modules (SE6, SE8, SE8M and SE9) that are installed as explained below, without any internal or external modifications.

- Check that the cable length that comes out of the module does not exceed 0.39 in. If it does, push the excess cable into the module housing.
- Connect the cable of the module to connector J9. **You should not have a loop<sup>(1)</sup>**.
- Insert the module into the reader slot (until you hear a "click" for SE6)
- Cut the base as shown in the drawing<sup>(2)</sup>.
- Place the "reader + module" on the base (i.e. Mounting), use the 2 screws provided with the module<sup>(3)</sup>.
- Read only readers: Activate the module with configuration card (SCB or OCB).

<sup>(2)</sup> To pass the module cable into the support, cut out the preformed part of the support.



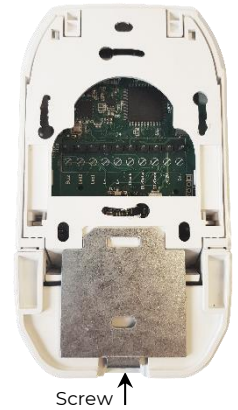
Option: Reinforcement plate to rigidify the assembly:

Standard/keyboard reader + module SE6v2: Ref. SE7-ARC-DE-02.

Touch screen reader + module SE6v2: Ref. SE7-ARC-F-02.

Standard/keyboard reader + module SE9: Ref. TOLE-ARC-AQ-BQ-01.

Touch screen reader + module SE9: Ref. TOLE-ARC-CQ-01.



**SE8 / SE8M**

SE8 compatible with: HID Prox / EM4x02 / EM4x50 / Nedap.

SE8M compatible with: HID Prox / EM4x02 / EM4x50 / AWID / ioProx / Indala.

**SE9**

Minimum reading distance depending on the size of the QR Code

| QR Code |           | Distance |      |
|---------|-----------|----------|------|
| mm      | inch      | mm       | inch |
| 10x10   | 0.39x0.39 | 26       | 1.02 |
| 15x15   | 0.59x0.59 | 36       | 1.42 |
| 20x20   | 0.79x0.79 | 44       | 1.73 |
| 25x25   | 0.98x0.98 | 59       | 2.32 |
| 30x30   | 1.18x1.18 | 77       | 3.03 |

Code format read:

- QR Code
- Aztec
- Data Matrix
- Code 128
- Code 39

### Declaration of compliance

STid declares that the ARCS-X reader is compliant to the essential requirements of the Directives RED 2014/53/EU, RoHS 2011/65/EU and Delegated directive. A copy of our declaration is available on request from [qualite@stid.com](mailto:qualite@stid.com).



This device complies with part 15 of the FCC Rules and with Industry Canada licence-exempt RSS standard(s). Operation is subject to the following two conditions:

(1) This device may not cause harmful interference, and

(2) This device must accept any interference received, including interference that may cause undesired operation

NOTE: The grantee is not responsible for any changes or modifications not expressly approved by the party responsible for compliance. Such modifications could void the user's authority to operate the equipment.

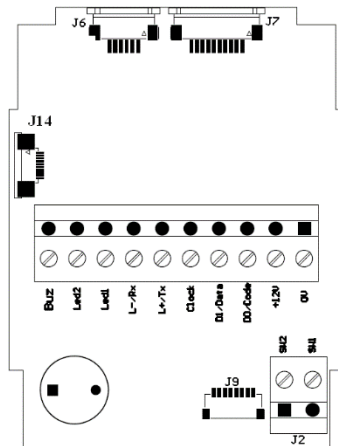
This device complies with the safety requirements for RF exposure in accordance with RSS-102 issue 5 for conditions of use and with §1.1307(b), 2.1091 and 2.1093 of the FCC rules Title 47 CFR Ch. I.

The maximum magnetic field level of the device is:

- 13 dB $\mu$ A/m (at 10 meters) for 13.56 MHz frequency.
- 25 dB $\mu$ A/m (at 3 meters) for 125 kHz frequency (ARCS-I /J/ K/BT2)
- 9 dB $\mu$ A/m (at 10 meters) for 125 kHz frequency (ARCS- IM /JM/ KM /BT2)
- 4 dBm for 2.4 GHz frequency.

**Références produits**

|            |    |  |  |   |
|------------|----|--|--|---|
| ARCS-X/BT1 | X: | A : Standard<br>B : Clavier<br>C : Écran tactile   | D : Standard + Biométrie<br>E : Clavier + Biométrie<br>F : Écran tactile + Biométrie | AQ : Standard + QR Code<br>BQ : Clavier + QR Code<br>CQ : Écran tactile + QR Code |
| ARCS-X/BT2 | X: | I / IM : Standard + 125 kHz module<br>J / JM : Clavier + 125 kHz module<br>K / KM : Écran tactile + 125 kHz module |  |   |

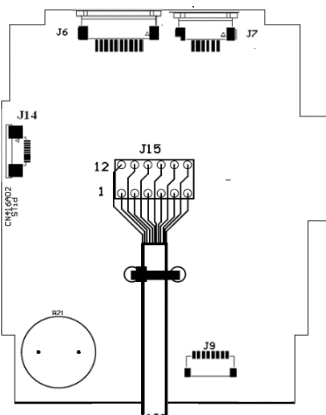


- J6 : Connecteur antenne
- J7 : Connecteur clavier
- J9 : Connecteur module biométrique
- J14 : Connecteur écran
- J2 : Contact O/F

| Bornier | Type                     |              |       |
|---------|--------------------------|--------------|-------|
|         | Wiegand                  | Clock & Data | RS485 |
| 1       | 0 Vdc                    |              |       |
| 2       | +Vcc (+7 Vdc to +28 Vdc) |              |       |
| 3       | D0                       | Code         | NC    |
| 4       | D1                       | Data         | NC    |
| 5       | Clock                    | Clock        | NC    |
| 6       | NC                       | NC           | L+    |
| 7       | NC                       | NC           | L-    |
| 8       | Led 1                    |              |       |
| 9       | Led 2                    |              |       |
| 10      | Buzzer                   |              |       |

**Références produits sortie câble**

|             |    |  |  |
|-------------|----|--|--|
| ARCS-XC/BT1 | X: | A : Standard<br>B : Clavier<br>C : Écran tactile | D : Standard + Biométrie<br>E : Clavier + Biométrie<br>F : Écran tactile + Biométrie |
|-------------|----|--|--|



- J6 : Connecteur antenne
- J7 : Connecteur clavier
- J9 : Connecteur module biométrique
- J14 : Connecteur écran
- J15 : Sortie câble

| J15 | Type         | Type                    |              |       |
|-----|--------------|-------------------------|--------------|-------|
|     |              | Wiegand                 | Clock & Data | RS485 |
| 1   | Bleu foncé   | SW2                     |              |       |
| 2   | Rose         | SW1                     |              |       |
| 3   | Orange       | Led 2                   |              |       |
| 4   | Blanc        | Buzzer                  |              |       |
| 5   | Jaune        | Clock                   | Clock        | NC    |
| 6   | Rouge        | +Vcc (+7 Vdc à +28 Vdc) |              |       |
| 7   | Bleu         | D1                      | Data         | NC    |
| 8   | Gris         | D0                      | Code         | NC    |
| 9   | Vert         | Led 1                   |              |       |
| 10  | Blanc Marron | NC                      | NC           | L+    |
| 11  | Blanc violet | NC                      | NC           | L-    |
| 12  | Marron       | 0 Vdc                   |              |       |

**Caractéristiques de l'alimentation**

Utiliser une alimentation AC/DC du type LPS, Source à Puissance Limitée (selon IEC/UL/EN 60950-1 Ed2) ou du type ESI, PSI (selon IEC/UL/EN 62368-1).

**Alimentation:** Gamme : +7 Vdc to +28 Vdc      Typique : 12 Vdc

**Consommation max sous 12Vdc :**

|                    |                     |                     |                     |                     |
|--------------------|---------------------|---------------------|---------------------|---------------------|
| ARCS-A/BT1: 150 mA | ARCS-B/BT1: 180 mA  | ARCS-C/BT1: 220 mA  | ARCS-D/BT1: 300 mA  | ARCS-E/BT1: 330 mA  |
| ARCS-F/BT1: 370 mA | ARCS-I/BT2: 180 mA  | ARCS-IM/BT2: 190 mA | ARCS-J/BT2: 210 mA  | ARCS-JM/BT2: 220 mA |
| ARCS-K/BT2: 250 mA | ARCS-KM/BT2: 260 mA | ARCS-AQ/BT1: 260 mA | ARCS-BQ/BT1: 300 mA | ARCS-CQ/BT1: 340 mA |

**Caractéristiques**

- Communication :** RS485 (L+ & L-) / TTL (Wiegand / Clock & Data)
- Raccordement :** Borniers débrochables à vis 1x10 points et 1x2 points, pas de 3,81 mm ou câble.
- Protection :** Lecteur classé IP65.
- Relais statique :** ASSR-1218-003E : tension de sortie 60V / 0.2A / Résistance 1Ω typique pour AC/DC.

**Type de câble préconisé**

- Sortie bornier :**
  - RS485 : Utiliser un câble blindé multiconducteur torsadé par tresse. Déport max 1000m à 9600 bauds.
  - Wiegand / Clock & Data : Utiliser un câble blindé non-torsadé.
    - 2 fils AWG24 – 30 m max / 4 fils AWG24 – 60 m max / 6 fils AWG24 – 100 m max
    - 1 fils AWG20 – 50 m max / 4 fils AWG20 – 100 m max
- Sortie câble (câble fourni) :** TRANXALARM - 14x0,22mm<sup>2</sup> - lg 3,05m.

**Buzzer / LED**

Le fonctionnement du buzzer et des LED 1 et 2 est configurable par badge de configuration (SCB / OCB) ou commandé par le système distant en appliquant un potentiel 0 Vdc respectivement sur les entrées « **Led 1** », « **Led 2** » et « **Buzzer** » ou pilotés par le protocole de communication du lecteur (SSCP® / OSDP™).

**Fonction anti-arrachement**

**L'arrachement est détecté par un accéléromètre.** Lorsque l'arrachement est détecté, la sortie « Switch » (bornier J2) fournit un contact O/F afin d'indiquer l'état d'arrachement du lecteur.

- pour R/S 31/x1 : le signal d'arrachement sera aussi émis sur la ligne « **Data/Data1** ». Cette fonction est configurable par badge.
- pour R/S 33/x3 et OSDP™ : le lecteur effectuera les opérations configurées par badge de configuration.
- pour W 33/x3 : le lecteur effectuera les opérations configurées via les commandes SSCP®.

**Attention : mettre le lecteur sous tension lorsqu'il est dans sa position finale pour initialiser l'accéléromètre dans la position correcte.**



## Relais

**Lecteur en lecture seule :** gestion automatique de l'arrachement (sauf écran tactile) ou activé à la lecture d'un identifiant valide  
**Lecteur écran tactile lecture seule :** si la fonction sonnette est activée, le contact J2 est utilisé pour raccorder la sonnette (Max 200 mA sous 28 Vdc).  
**Lecteur en lecture / écriture et OSDP™ :** le relais est piloté par les commandes des protocoles SSCP®/ OSDP™.

## Paramètres de configuration (UHF)

Lecteur hors tension, les paramètres lecteur par défaut peuvent être stockés dans une mémoire interne accessible par technologie RFID UHF. Ils seront pris en compte au démarrage du lecteur.

## Configuration des lecteurs en lecture seule

Les lecteurs R & S sont configurables par badge de configuration SCB RFID / virtuel.  
 Les lecteurs OSDP™ sont configurables par badge de configuration OCB RFID / virtuel ou par la commande FileTransfer.  
 - Si le SCB/OCB est compatible avec le firmware du lecteur, la LED devient verte et le buzzer retentit 5 fois.  
 - Si le SCB/OCB n'est pas compatible avec le firmware du lecteur, la LED devient rouge et le buzzer est activé 1s.  
 - Si le SCB/OCB a une clé différente de celle du lecteur : pas de réaction du lecteur.

**Attention : paramétrer vos lecteurs en définissant une clé entreprise personnalisée.**

## Mise sous tension des lecteurs

A la mise sous tension, le lecteur est en phase d'initialisation :

1. Activation de la LED blanche et du buzzer pendant 100 ms.
- Pour les lecteurs en lecture seule et OSDP™ :
2. Activation de la LED selon le code couleur : Rouge = +10, Orange = +5, Verte = +1 : Indication de la version firmware.
  3. Lecteur série uniquement : Clignotement de la LED orange 20 fois : attente de mise à jour.
  4. Lecteurs Bluetooth® uniquement : Activation de la LED blanche fixe pendant l'initialisation du Bluetooth®.
  5. Activation de la LED par défaut (lecture seule : bleu pulse; OSDP™ : off, si pas de configuration client spécifique).
  6. Lecteur écran avec clavier actif, le mode par défaut est : affichage de l'image en veille et activation du clavier par un appui sur l'écran.

## Précautions pour le capteur biométrique et le clavier

- Pour un fonctionnement optimal le capteur biométrique doit être exempt de toute trace d'eau, en extérieur il est conseillé d'installer le lecteur sous abri.
- Le clavier étant sensible ôter vos gants pour entrer votre code.

## Précaution pour lecteur Bluetooth®

**Attention : à la mise sous tension du lecteur Bluetooth® (BT1/BT2), s'assurer que rien ne se trouve dans un périmètre d'au moins 10 cm autour du lecteur (ex : pas de main devant le lecteur...).**

## Précautions d'installation

- La tension d'alimentation aux bornes du lecteur doit être comprise entre +7 Vdc et +28 Vdc.
- Eloigner, autant que possible, le lecteur des câbles de transmission informatique ou d'origine de puissance (secteur ou Haute Tension). Les perturbations qu'ils peuvent engendrer varient en fonction de leur puissance de rayonnement et de leur proximité avec les lecteurs.
- Distance à respecter entre 2 lecteurs : Plans parallèles : 30 cm - Même plan : 40 cm - Plans perpendiculaires : 30 cm.
- Distance à respecter entre 2 lecteurs Bluetooth® : 2 mètres indifféremment du plan.
- Placer le lecteur à une hauteur inférieure à 2 mètres (norme UL/IEC 62368).
- Si le lecteur est fixé sur une surface métallique, il est possible d'avoir une réduction de la distance de lecture.
- Utiliser une ferrite (2 passages) sur le câble (alimentation et données). Exemple : Référence 74271222 WURTH ELEKTRONIK.
- Pour le lecteur ARCS bornier connecter la capa de 2.2µF (fournie) entre le +12V et le GND directement en sortie du bornier. (pas de polarisation).
- Par sa conception le lecteur peut être installé en intérieur et extérieur.
- **Avant la mise sous tension, branchez les fils ou le connecteur du lecteur. Avant de déconnecter les fils ou le connecteur du lecteur, mettez-le hors tension.**
- Température ambiante de fonctionnement :

| Température | -30°C to +70°C | -30°C to +60°C | -20°C to +70°C | -20°C to +60°C | -10°C to +50°C |
|-------------|----------------|----------------|----------------|----------------|----------------|
| Lecteurs    | A, B, IM, JM   | AQ, BQ         | C, I, J, K, KM | CQ             | D, E, F        |

## Câblage des pulls-ups en TTL

Pour les signaux de données, des résistances de pulls-up de 10kΩ au  $V_{in}$  (tension d'alimentation du lecteur) sont pré-équipées dans l'électronique du lecteur permettant des distances de câblage optimales.

## Communication RS485

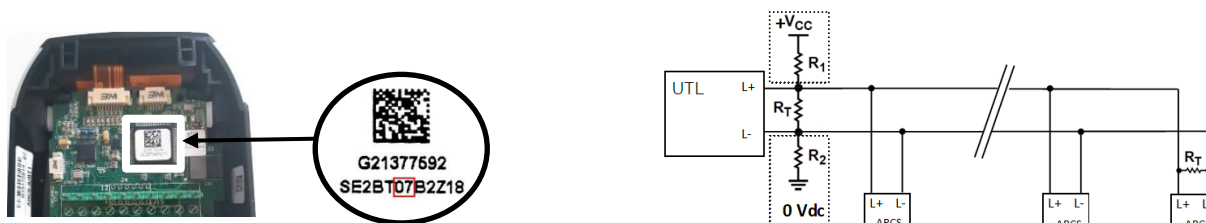
|   |   |
|---|---|
| <b>Vitesse de transmission disponible</b>     | 9600, 19200, 38400, 57600, 115200 bauds               |
| <b>Vitesse de transmission sortie d'usine</b> | ARC R & S : 9600; ARC W : 38400 (SSCP®), 9600 (OSDP™) |
| <b>Mode</b>                                   | Asynchrone  |
| <b>Nombre de bits</b>                         | 8   |
| <b>Mode de transmission</b>                   | LSB first   |
| <b>Bit de stop</b>                            | 1   |
| <b>RS485</b>                                  | Adresse de diffusion par défaut 00h                   |

Pour plus d'informations concernant le dialogue avec le lecteur, consulter la spécification du protocole.

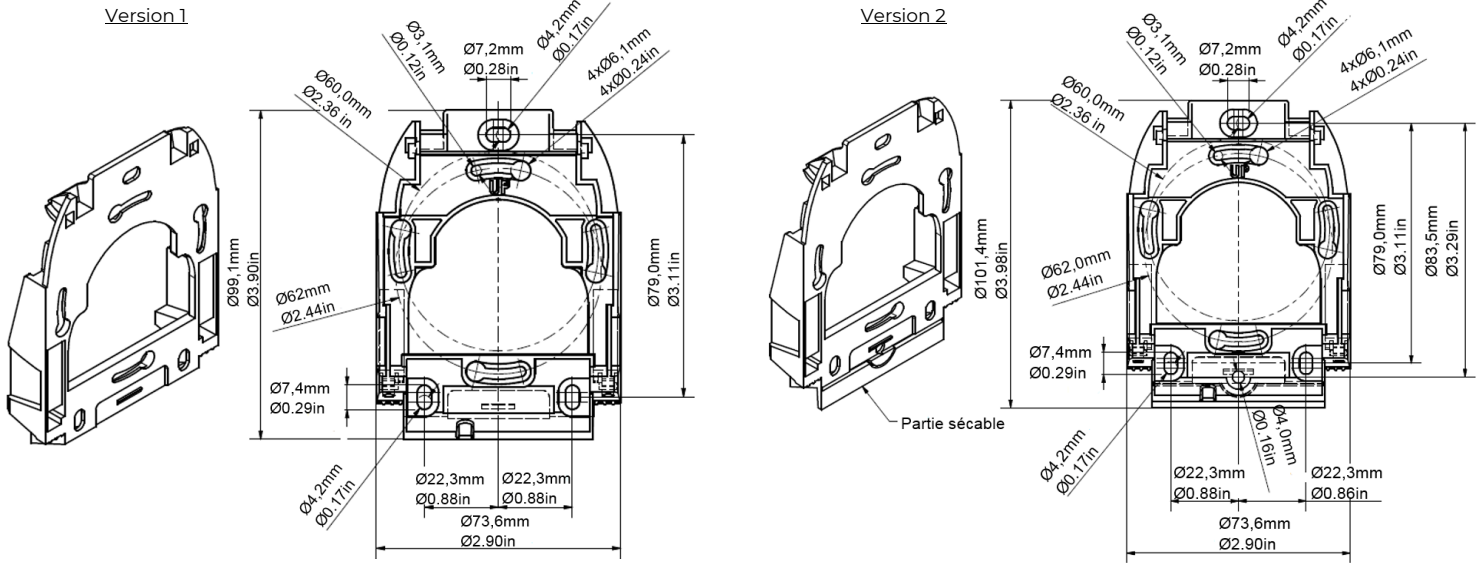
## Architecture en bus (RS485)

RT : résistance de fin de ligne de 120 Ω fournie.

A partir de la version 07 de la carte électronique, les lecteurs sont directement équipés de résistances de pull-up / pull-down sur la carte. Les versions antérieures nécessitent le câblage des résistances R1 et R2 (résistances de 1,5 kΩ fournies) pour utiliser les fonctionnalités étendues du Bus RS485 : FAIL-SAFE (voir RS485-AN-960).

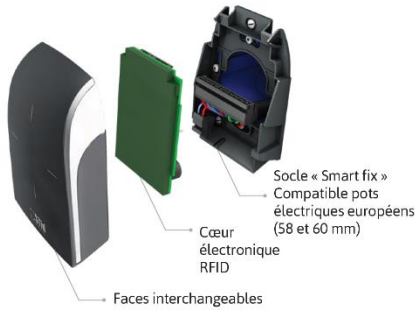


**Dimensions du socle de fixation**



Tolérance générale suivant standard ISO NFT 58-000.

**Modularité**

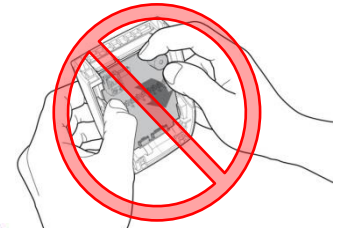
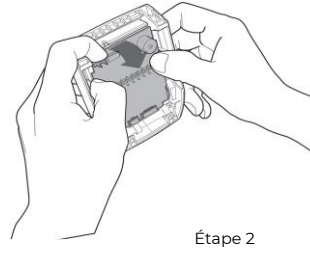
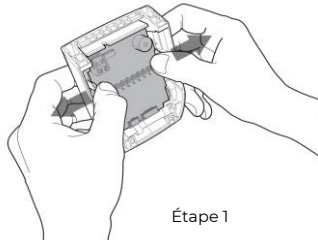
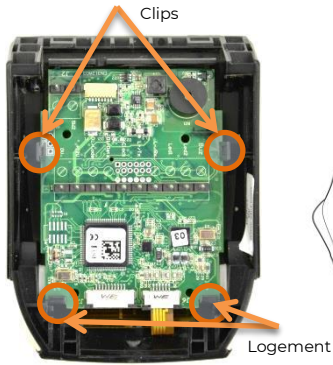


La gamme Architect® Blue a pour particularité d'être modulaire. Chaque lecteur se compose de 3 parties : 1 façade interchangeable, 1 cœur électronique et 1 socle de fixation. Vous pouvez faire évoluer les fonctionnalités et les niveaux de sécurité de votre lecteur en changeant simplement la façade et/ou en y ajoutant un module biométrique.

**Dimensions**

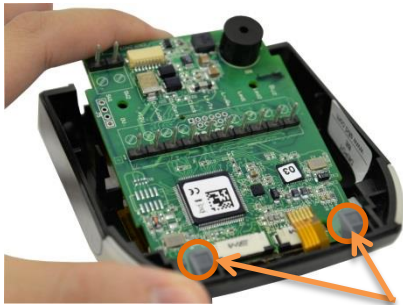


Étapes pour retirer le cœur de la façade

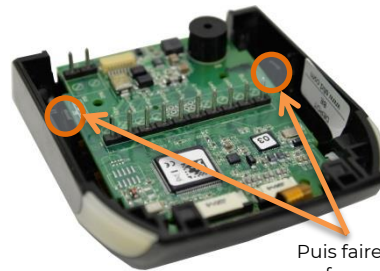


Ne pas utiliser le buzzer pour faire levier

Procédure pour installer le cœur dans la façade



Placer le cœur entre les 2 logements en haut de la façade.



Puis faire pivoter la carte et l'insérer en force entre les 2 clips.

Procédure pour changer de façade



- Déconnecter la nappe d'antenne du connecteur J6.
- Retirer le cœur de la façade (étapes 1, 2).
- Installer le cœur dans la façade clavier.
- Connecter la nappe d'antenne au connecteur J6 et la nappe du clavier au connecteur J7.



- Déconnecter la nappe d'antenne du connecteur J6 et la nappe du clavier du connecteur J7.
- Retirer le cœur de la façade (étapes 1, 2).
- Installer le cœur dans la façade écran.
- Connecter la nappe d'antenne au connecteur J6 et la nappe d'écran au connecteur J14.



- Déconnecter la nappe d'antenne du connecteur J6.
- Retirer le cœur de la façade (étapes 1, 2).
- Installer le cœur dans la façade écran.
- Connecter la nappe d'antenne au connecteur J6 et la nappe d'écran au connecteur J14.



Fixation



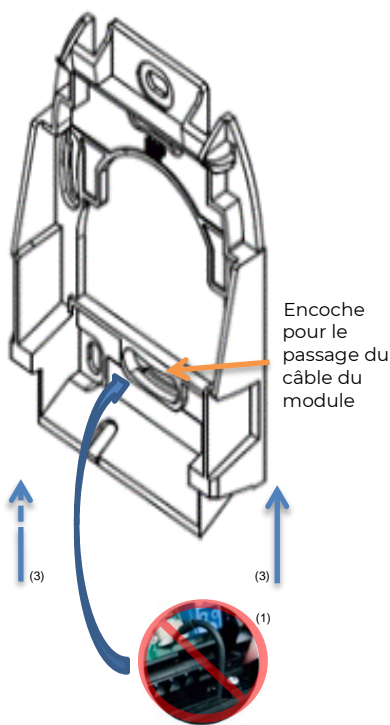
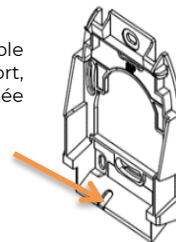
- Faire passer les câbles dans la cavité du socle.
- Fixer le socle sur son emplacement final.
- Effectuer le raccordement du lecteur.
- Tester le fonctionnement.
- Placer le lecteur sur le socle (clipper le haut puis pivoter le vers le bas).
- Fixer le lecteur à l'aide des 2 vis et de l'embout fourni.

Procédure pour ajouter le module biométrique (SE6) ou 125kHz (SE8 / SE8M) ou QR Code (SE9)

STid assure le bon fonctionnement, la conformité, le support et le SAV sur les lecteurs et les modules (SE6, SE8, SE8M and SE9) si ceux-ci sont installés comme indiqué ci-dessous sans modification interne ou externe.

- Vérifier que la longueur de câble qui sort du module n'excède pas 10mm sinon faite glisser l'excédent de câble dans le boîtier du module.
- Connecter le câble du module au connecteur J9. **Vous ne devez pas avoir de boucle** (1).
- Insérer le module dans l'encoche au bas du lecteur. (Jusqu'à entendre un « clic » pour le SE6).
- Découper le support comme illustré sur le schéma (2).
- Placer le lecteur + module sur le socle (cf. Fixation), utiliser les 2 vis fournies avec le module (3).
- Pour les lecteurs en lecture seule : activer le module avec un badge de configuration (SCB or OCB)

(2) Afin de faire passer le câble du module dans le support, découper la partie préformée du support.



Option : Plaque de renfort pour rigidifier l'ensemble :

Lecteur standard/clavier + module SE6 : Réf. SE7-ARC-DE-02.

Lecteur écran + module SE6 : Réf. SE7-ARC-F-02.

Lecteur standard/clavier + module SE9 : Ref. TOLE-ARC-AQ-BQ-01.

Lecteur écran + module SE9 : Ref. TOLE-ARC-CQ-01.



SE8 / SE8M

SE8 compatible avec : HID Prox / EM4x02 / EM4x50 / Nedap.

SE8M compatible avec : HID Prox / EM4x02 / EM4x50 / AWID / ioProx / Indala.

SE9

Distance minimale de lecture en fonction de la taille du QR Code

| QR Code |           | Distance |      |
|---------|-----------|----------|------|
| mm      | inch      | mm       | inch |
| 10x10   | 0.39x0.39 | 26       | 1.02 |
| 15x15   | 0.59x0.59 | 36       | 1.42 |
| 20x20   | 0.79x0.79 | 44       | 1.73 |
| 25x25   | 0.98x0.98 | 59       | 2.32 |
| 30x30   | 1.18x1.18 | 77       | 3.03 |

Format code lu :

- QR Code
- Aztec
- Data Matrix
- Code 128
- Code 39

#### Déclaration de conformité

STid déclare que le lecteur ARCS-X est conforme aux exigences essentielles des Directives RED 2014/53/UE, RoHS 2011/65/UE et Directive déléguée. Une copie de notre déclaration est disponible sur demande adressée à [qualite@stid.com](mailto:qualite@stid.com)



L'émetteur/récepteur exempt de licence contenu dans le présent appareil est conforme aux CNR d'Innovation, Sciences et Développement économique Canada applicables aux appareils radio exempts de licence. L'exploitation est autorisée aux deux conditions suivantes :

- 1) L'appareil ne doit pas produire de brouillage ;
- 2) L'appareil doit accepter tout brouillage radioélectrique subi, même si le brouillage est susceptible d'en compromettre le fonctionnement.

Le niveau de champ magnétique maximum du produit est :

- 13 dBµA/m (à 10 mètres) pour la fréquence 13,56 MHz
- 25 dBµA/m (à 3 mètres) pour la fréquence 125 kHz (ARCS-I /J /K /BT2)
- 9 dBµA/m (à 10 mètres) pour la fréquence 125 kHz (ARCS- IM /JM/ KM /BT2)
- 4 dBm pour la fréquence 2,4 GHz

#### Adhérent "DEEE Pro"

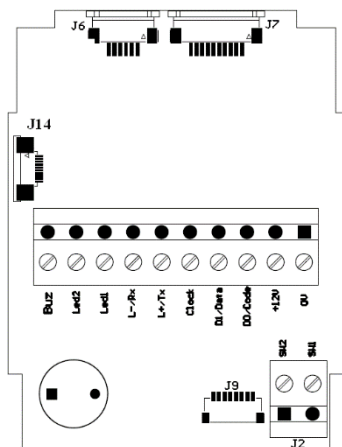


L'identifiant unique FR010496\_05ZP8L attestant de l'enregistrement au registre des producteurs de la filière EEE, en application de l'article L.541-10-13 du Code de l'Environnement a été attribué par l'ADEME à la société STid. Cet identifiant atteste de sa conformité au regard de son obligation d'enregistrement au registre des producteurs d'Equipements Electriques et Electroniques et de la réalisation de ses déclarations de mises sur le marché auprès d'**ecosystem**.

STid recommande aux détenteurs d'équipements usagés qui souhaitent s'en départir de les remettre à la filière DEEE en prenant contact avec ESR/RECYLUM afin de bénéficier des solutions sans frais supplémentaires de collecte et de recyclage de ces équipements usagés. Plus d'informations sur [www.recyclum.fr](http://www.recyclum.fr).

**Referencias del producto de salida de terminal de tornillo**

|            |    |   |   |   |
|------------|----|---|---|---|
| ARCS-X/BT1 | X: | A: Estándar<br>B: Teclado<br>C: Pantalla táctil   | D: Estándar + Biometría<br>E: Teclado + Biometría<br>F: Pantalla táctil + Biometría | AQ: Estándar + Módulo Código QR<br>BQ: Teclado + Módulo Código QR<br>CQ: Pantalla táctil + Módulo Código QR |
| ARCS-X/BT2 | X: | I / IM: Estándar + Módulo 125 kHz<br>J / JM: Teclado + Módulo 125 kHz<br>K / KM: Pantalla táctil + Módulo 125 kHz |   |   |

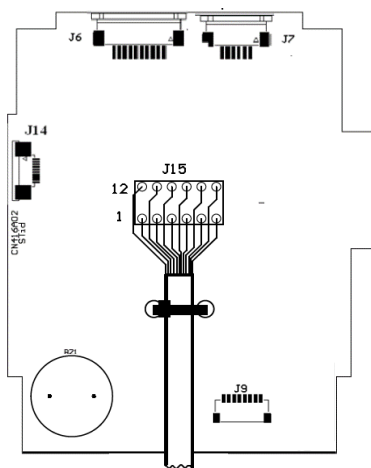


J6: Conector de la antena  
J7: Conector del teclado  
J9: Conector biométrico  
J14: Conector de la pantalla  
J2: Contacto O/C

| Conector<br>J4 | Tipo                    |              |       |
|----------------|-------------------------|--------------|-------|
|                | Wiegand                 | Clock & Data | RS485 |
| 1              | 0 VDC                   |              |       |
| 2              | +Vcc (+7 VDC a +28 VDC) |              |       |
| 3              | D0                      | Código       | NC    |
| 4              | D1                      | Data         | NC    |
| 5              | Clock                   | Clock        | NC    |
| 6              | NC                      | NC           | L+    |
| 7              | NC                      | NC           | L-    |
| 8              | Led 1                   |              |       |
| 9              | Led 2                   |              |       |
| 10             | Timbre                  |              |       |

**Referencias del producto de salida de cable**

|             |    |   |   |
|-------------|----|---|---|
| ARCS-XC/BT1 | X: | A: Estándar<br>B: Teclado<br>C: Pantalla táctil | D: Estándar + Biometría<br>E: Teclado + Biometría<br>F: Pantalla táctil + Biometría |
|-------------|----|---|---|



J6: Conector de la antena  
J7: Conector del teclado  
J9: Conector biométrico  
J14: Conector de la pantalla  
J15: cable de salida

| J15 | Type           |              |       |
|-----|----------------|--------------|-------|
|     | Wiegand        | Clock & Data | RS485 |
| 1   | Azul oscuro    |              |       |
| 2   | Rosa           |              |       |
| 3   | Naranja        |              |       |
| 4   | Blanco         |              |       |
| 5   | Amarillo       | Clock        | NC    |
| 6   | Rejo           |              |       |
| 7   | Azul           | D1           | NC    |
| 8   | Gris           | D0           | NC    |
| 9   | Verde          |              |       |
| 10  | Blanco Marrón  | NC           | L+    |
| 11  | Blanco púrpura | NC           | L-    |
| 12  | Marrón         |              |       |

**Características de alimentación**

Utilizar fuente de alimentación AC/DC tipo LPS, fuente de alimentación limitada (según IEC/UL/EN 60950-1 Ed2) o tipo ES1, PS1 (según IEC/UL/EN 62368-1)

**Fuente de alimentación:** Rango: +7 VDC a +28 VDC Normal: 12 VDC

**Consumo máximo a 12 VDC:**

|                    |                     |                     |                     |                     |
|--------------------|---------------------|---------------------|---------------------|---------------------|
| ARCS-A/BT1: 150 mA | ARCS-B/BT1: 180 mA  | ARCS-C/BT1: 220 mA  | ARCS-D/BT1: 300 mA  | ARCS-E/BT1: 330 mA  |
| ARCS-F/BT1: 370 mA | ARCS-I/BT2: 180 mA  | ARCS-IM/BT2: 190 mA | ARCS-J/BT2: 210 mA  | ARCS-JM/BT2: 220 mA |
| ARCS-K/BT2: 250 mA | ARCS-KM/BT2: 260 mA | ARCS-AQ/BT1: 260 mA | ARCS-BQ/BT1: 300 mA | ARCS-CQ/BT1: 340 mA |

**Características**

**Comunicación:** RS485 (L+ & L-) / TTL (Wiegand / Clock & Data).  
**Conexión:** Conectores atornillados de 1x10 y 1x2 pines, tornillo de 3.81 mm o cable.  
**Índice de protección:** Lector clasificado IP65.  
**Relé estático:** ASSR-1218-003E: Voltaje de salida 60V / 0.2A / Resistencia en conducción 1Ω normal para AC/DC.

**Tipo de cable recomendado**

**Salida de terminal de tornillo:** RS485: Usar cable multiconductor de blindado trenzado. Desviación máx1000 m a 9600 baudios  
Wiegand / Clock & Data: Usar cable multiconductor de blindado no trenzado  
2 cables AWG24: 30 m máx. / 4 cables AWG24: 60 m máx. / 6 cables AWG24: 100 m máx.  
2 cables AWG20: 50 m máx. / 4 cables AWG20: 100 m máx.

**Salida de cable (cable suministrado):** TRANXALARM - 14x0.22mm<sup>2</sup> - lg 3.05m

**Timbre / LED**

El funcionamiento del timbre y los LEDs 1 y 2 se pueden programar mediante una tarjeta de configuración (SCB / OCB) o controlarse por el sistema remoto aplicando un potencial de 0 VDC respectivamente en las entradas "Led 1", "Led 2" y "Timbre" o controlarse por el protocolo de comunicación del lector (SSCP® / OSDP™).

**Anti-extracción**

**La extracción es detectada por un acelerómetro.** Cuando se detecta la extracción, la salida del interruptor (conector J2) proporciona un contacto O/C para indicar el estado de extracción del lector.

- Para R/S 31/x1: la señal de extracción también se transmitirá por la línea "DI/Data". Esta función es configurable por medio de tarjeta.
- Para R/S 33/x3 y OSDP™: el lector realizará las operaciones configuradas con la tarjeta de configuración.
- Para W33/x3: el lector realizará las operaciones configuradas a través del protocolo SSCP®.

**Precaución: encienda el lector cuando esté en su posición final para activar el acelerómetro en la posición correcta.**

### Relé

**Lector de solo lectura:** gestión automática de extracción (excepto pantalla táctil) o activado en la lectura de un identificador válido.

**Lector de pantalla táctil de solo lectura:** si la función de timbre está activa, se utiliza el contacto J2 para conectar el timbre (máx. 200 mA a 28 VDC).

**Lector de lectura/escritura:** el relé es controlado por los comandos de los protocolos SSCP®/OSDP™.

### Parámetros de configuración UHF

Con el lector apagado, la configuración predeterminada del lector se puede almacenar en una memoria interna accesible mediante la tecnología RFID UHF. Se tendrán en cuenta a la hora de encender el lector.

### Configuración del lector

Los lectores R y S son configurables por medio de tarjetas de configuración SCB RFID / virtuales.

Los lectores OSDP™ son configurables por medio de tarjetas de configuración OCB RFID / virtuales o por el comando FileTransfer.

- Si el SCB/OCB es compatible con el firmware del lector, el LED se ilumina en verde y el timbre suena 5 veces.
- Si el SCB/OCB no es compatible con el firmware del lector, el LED se ilumina en rojo y el timbre suena por 1 segundo.
- Si la clave de seguridad SCB / OCB es diferente de la clave del lector: no hay reacción.

**Precaución: configure sus lectores definiendo su propia clave de empresa.**

### Secuencia de arranque

Al momento del encendido, el lector se encuentra en la fase de arranque:

1. Activación del LED blanco y del timbre por 100 ms.

Para los lectores de sólo lectura y OSDP™:

2. Activación del LED según el código de color: rojo = +10, naranja = +5, verde = +1: Indicador de la versión del firmware.
3. Solo para lector serie R/S: el LED naranja parpadea 20 veces: en espera de una actualización.
4. Solo para lector Bluetooth®: Activación del LED fijo blanco durante la inicialización de Bluetooth.
5. Activación del LED predeterminado (sólo lectura: parpadeo azul, OSDP™: extinguida; si no hay una configuración específica del cliente).
6. Para la pantalla ARC con teclado activo, el modo predeterminado es: visualización de la imagen en espera y activación del teclado al tocar la pantalla.

### Precauciones para el sensor biométrico y el teclado

- Para un funcionamiento óptimo, el sensor biométrico debe estar libre de todo rastro de agua, en exteriores es recomendable instalar el lector bajo cubierta.
- El teclado es sensible, quítese los guantes para ingresar su código.

### Precaución para el lector Bluetooth®

**Precaución: en el encendido de Bluetooth® (BT1 / BT2) del lector, asegúrese de que no haya nada en un área de al menos 10 cm/ 3.94 in alrededor del lector (por ejemplo, ninguna mano delante del lector ...).**

### Precauciones para la instalación

- El voltaje de suministro en los conectores del lector debe estar entre +7 VDC y +28 VDC.
- Mantenga el lector alejado lo más posible de los cables de transmisión de datos, o de la fuente de alimentación, ya que pueden causar interferencias dependiendo del nivel de potencia de radiación y/o de la proximidad al lector.
- Distancia recomendada entre 2 lectores: plano paralelo: 30 cm. Plano perpendicular: 30 cm.
- Distancia recomendada entre 2 lectores Bluetooth®: 2 metros cualquiera de los dos planos.
- Coloque el lector a una altura de menos de 2 metros (Norma UL / IEC 62368).
- Si el lector se instala en una superficie metálica puede tener una reducción en la distancia de lectura.
- Para el lector de salida de terminal de tornillo ARCS, conecte la capa de 2.2 µF (provista) entre +12V y GND directamente a la salida del conector (sin polarización).
- Utilice una ferrita (2 vías) para el cable (alimentación y datos). Ejemplo: Referencia 74271222 WURTH ELEKTRONIK.
- Por su diseño, el lector puede instalarse en interiores y exteriores.
- **ANTES de encender, conecte los cables o el conector del lector. Antes de desconectar los cables o el conector del lector, apáguelo.**
- Temperatura ambiente de funcionamiento:

|             |                                    |                                    |                                   |                                   |                                   |
|-------------|------------------------------------|------------------------------------|-----------------------------------|-----------------------------------|-----------------------------------|
| Temperatura | -22 °F to 158 °F<br>-30°C to +70°C | -22 °F to 140 °F<br>-30°C to +60°C | -4 °F to 158 °F<br>-20°C to +70°C | -4 °F to 140 °F<br>-20°C to +60°C | 14 °F to 122 °F<br>-10°C to +50°C |
| Lectores    | A, B, IM, JM                       | AQ, BQ                             | C, I, J, K, KM                    | CQ                                | D, E, F                           |

### Cableado de pull-ups en TTL

Para las señales de datos, las resistencias pull-up de 10kΩ en V<sub>in</sub> (tensión de alimentación del lector) están pre-equipadas en el sistema electrónico del lector para una óptima distancia entre el cableado.

### Comunicación RS485

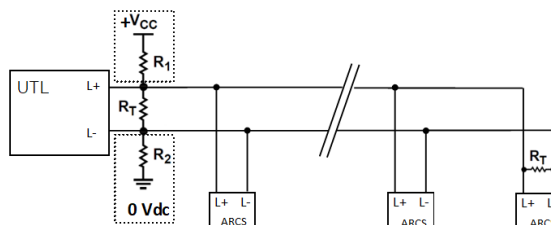
|  |   |
|--|---|
| <b>Velocidad de transmisión disponible</b> | 9600, 19200, 38400, 57600, 115200 baudios           |
| <b>Velocidad de transmisión de fábrica</b> | ARC R & S: 9600; ARC W: 38400 (SSCP®), 9600 (OSDP™) |
| <b>Modo</b>                                | Asíncrono   |
| <b>Número de bits</b>                      | 8   |
| <b>Modo de transferencia</b>               | LSB primero   |
| <b>Bit de parada</b>                       | 1   |
| <b>RS485</b>                               | Dirección de transmisión predeterminada 00h         |

Más detalles sobre la comunicación con el lector está disponibles en la especificación del protocolo.

### Arquitectura del bus (RS485)

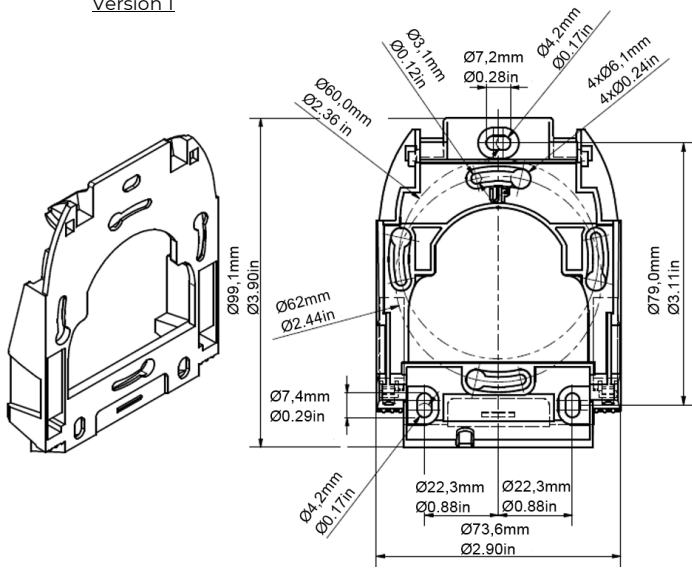
RT: resistencia de final de línea de 120 Ω incluida.

A partir de la versión 07 de la tarjeta electrónica, los lectores están equipados directamente con resistencias pull-up/pull-down en la tarjeta. Las versiones anteriores requieren el cableado de las resistencias R1 y R2 (resistencias de 1,5 kΩ incluida) para utilizar las funciones extendidas del bus RS485: FAIL-SAFE (consulte RS485-AN-960).

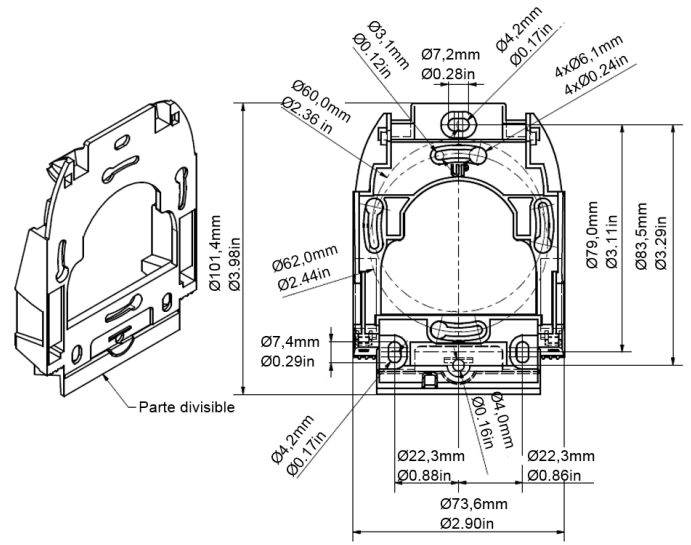


**Dimensiones de la base de montaje**

Versión 1

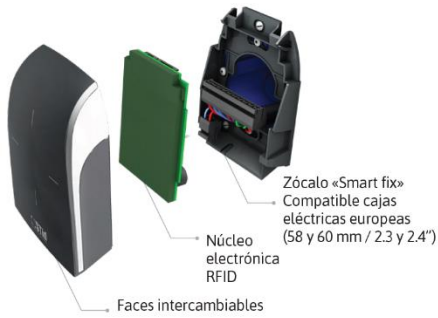


Versión 2



Tolerancia general según la norma ISO NPT 58-000.

**Versatilidad**



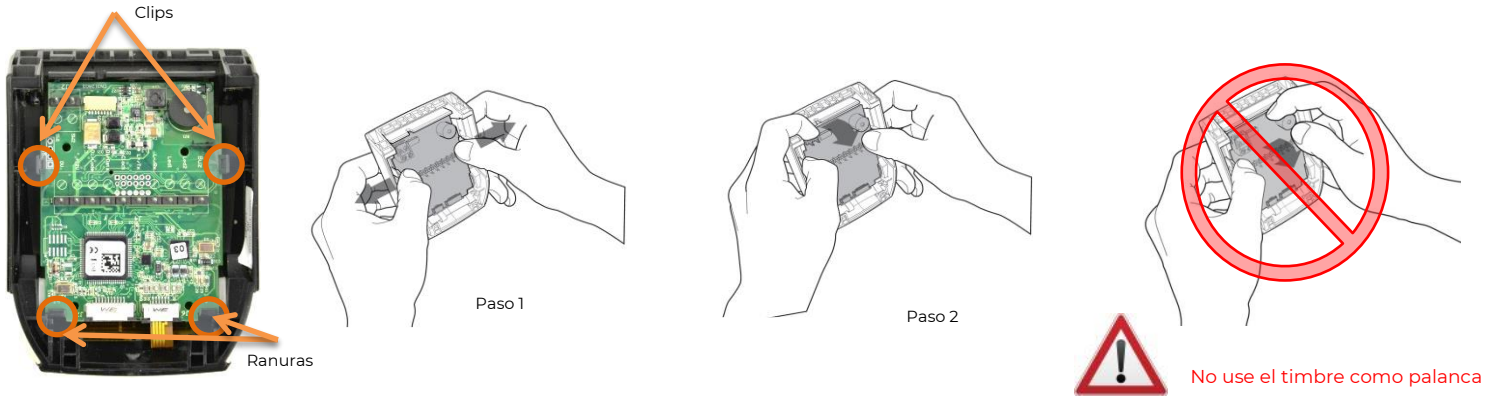
La gama Architect® Blue tiene la distinción de ser versátil. Cada lector consta de 3 partes: 1 panel frontal intercambiable, 1 núcleo electrónico y 1 base de montaje. Puede actualizar las funciones y los niveles de seguridad de su lector al simplemente cambiar el panel frontal y/o al añadir un módulo biométrico.

**Dimensiones**





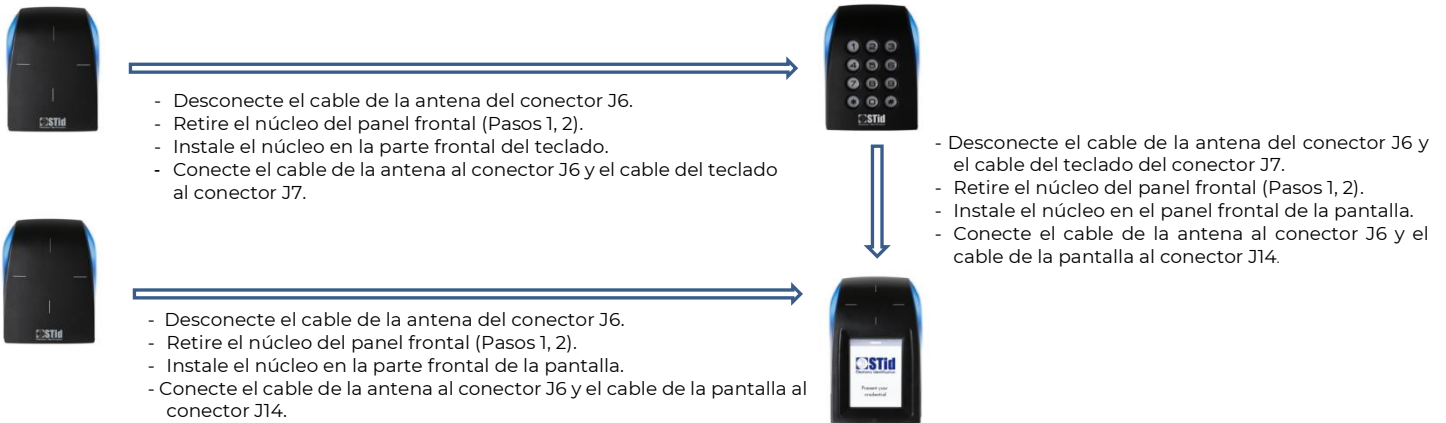
**Procedimiento para retirar el núcleo del panel frontal**



**Procedimiento para instalar el núcleo en el panel frontal**



**Procedimiento para cambiar el panel frontal**



**Montaje**



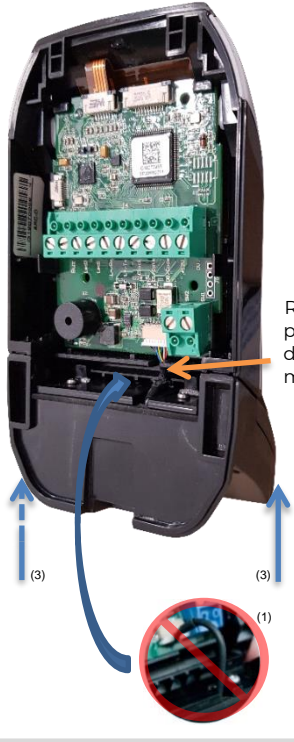
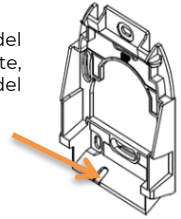
- Pase los cables por el orificio de la base.
- Atornille la base a su ubicación final.
- Conecte el lector.
- Pruebe la lectura y comunicación.
- Coloque el lector en la base (en los clips de la parte superior y luego gírelo hacia abajo).
- Fije el lector con los 2 tornillos y la tapa incluida.

Procedimiento para añadir el módulo biométrico (SE6) o 125 kHz (SE8 / SE8M) o Código QR (SE9)

STid garantiza el buen funcionamiento, el cumplimiento, el soporte técnico y el servicio postventa de lectores y módulos (SE6 y SE8) que se instalen como se explicó anteriormente sin ninguna modificación interna o externa.

- Compruebe que la longitud del cable, que sale del módulo, no exceda de 10 mm, de lo contrario, deslice el cable sobrante en la carcasa del módulo.
- Conecte el cable del módulo al conector J9. **No debe tener bucle**<sup>(1)</sup>.
- Inserte el módulo en la ranura inferior del lector (hasta que escuche un "clic" para e SE6).
- Corte el soporte como se muestra en el diagrama<sup>(2)</sup>.
- Coloque el lector + módulo en la base (véase Montaje).
- Lectores de solo lectura: active el módulo con la tarjeta de configuración (SCB u OCB).

<sup>(2)</sup> Para pasar el cable del módulo a través del soporte, corte la parte preformada del soporte.



Ranura para el paso del cable del módulo

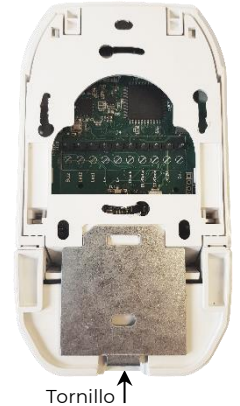
Opción: Placa de soporte para reforzar el montaje:

Lector estándar/teclado + módulo SE6: Réf. SE7-ARC-DE-02

Lector de pantalla + módulo SE6: Réf. SE7-ARC-F-02 .

Lector estándar/teclado + módulo SE9: Ref. TOLE-ARC-AQ-BQ-01.

Lector de pantalla + módulo SE9: Ref. TOLE-ARC-CQ-01



Tornillo ↑

SE8 / SE8M

SE8 compatible con: HID Prox / EM4x02 / EM4x50 / Nedap.

SE8M compatible con: HID Prox / EM4x02 / EM4x50 / AWID / ioProx / Indala.

SE9

Distancia mínima de lectura dependiendo del tamaño del Código QR

| QR Code |           | Distance |      |
|---------|-----------|----------|------|
| mm      | inch      | mm       | inch |
| 10x10   | 0.39x0.39 | 26       | 1.02 |
| 15x15   | 0.59x0.59 | 36       | 1.42 |
| 20x20   | 0.79x0.79 | 44       | 1.73 |
| 25x25   | 0.98x0.98 | 59       | 2.32 |
| 30x30   | 1.18x1.18 | 77       | 3.03 |

Formato de código leído:

- QR Code
- Aztec
- Data Matrix
- Code 128
- Code 39

### Declaración de conformidad

STid declara que el lector ARCS-X cumple las exigencias esenciales des Directivas RED 2014/53/UE, RoHS 2011/65/UE y Directiva delegada. Una copia de nuestra declaración está disponible enviando una solicitud a [qualite@stid.com](mailto:qualite@stid.com).



Este dispositivo cumple con la Sección-15 de la FCC y con los estándares RSS exentos de licencia de Industry Canada. Su funcionamiento está sujeto a las dos condiciones siguientes:

- 1) Este aparato no debe provocar interferencias nocivas.
- 2) Este aparato debe aceptar cualquier interferencia recibida, incluyendo las interferencias que pueden provocar funcionamiento no deseado.

NOTA: El fabricante no se hace responsable de ningún cambio o modificación que no haya sido aprobado expresamente por la parte responsable del cumplimiento. Semejante las modificaciones pueden anular la autoridad del usuario para operar el equipo.

Este dispositivo cumple con los requisitos de seguridad para exposición a RF de acuerdo con RSS-102 número 5 para condiciones de uso y con §1.1307 (b), 2.1091 y 2.1093 de las reglas de la FCC Título 47 CFR Cap. I.

El nivel máximo de campo magnético del producto es:

- 13 dB $\mu$ A/m (a 10 metros) para la frecuencia 13,56 MHz
- 25 dB $\mu$ A/m (a 3 metros) para la frecuencia 125 kHz (ARCS-I / J / K /BT2)
- 9 dB $\mu$ A/m (a 10 metros) para la frecuencia 125 kHz (ARCS- IM /JM/ KM /BT2)
- 4 dBm para la frecuencia 2.4 GHz